

IP 600W BLINDER B2 FC RGBAW



USER MANUAL



KEEP THIS USER MANUAL FOR FUTURE NEEDS

Thank you for your patronage!

We are confident that our excellent products and service can satisfy you.

For your own safety, please read this user manual carefully before installing the device.

In order to install, operate, and maintain the lighting safety correctly.

We suggest that the installation and operation should be done by the verified technician and follow the instruction strictly.

**CAUTION!**

Keep this device away from rain and moisture!

**CAUTION!**

Unplug mains lead before device's installation, cleaning and maintenance!

Every person involved with the installation, operation and maintenance of this device has to:

-be qualified

-follow carefully the instructions of this manual

INTRODUCTION

Thank you for having chosen this professional moving head.

You will see you have acquired a powerful and versatile device.

Unpack the device. Inside the carton box you should find:

1. One power in cable
2. One 3 Pin DMX cable(5 Pin optional)
3. Two mounted brackets
4. One safety rope
5. One English user manual

(Flight case, CLights are optional, please contact your dealer)

Please check carefully that there is no damage caused by transportation. Should there be any questions, please consult your dealer and don't install this device.

GENERAL GUIDELINES

This device is a lighting effect for a professional use on stages, TV, in discotheques, theaters, etc., The device was designed for indoor use only.

This fixture is only allowed to be operated with the max alternating current which stated in the technical specifications in 6th page of this manual.

Lighting effects are not designed for permanent operation. Consistent operation breaks may ensure that the device will serve you for a long time without defects.

Do not shake the device. Avoid brute force when installing or operating the device.

While choosing the installation-spot, please make sure that the device is not exposed to extreme heat, moisture or dust. Please don't project the beam onto combustible substances. The minimum distance between light-output from the projector and the illuminated surface must be more than 0,5 meter.

If you use the quick lock cam in hanging up the fixture, please make sure the quick lock fasteners turned in the quick lock holes correctly.

Operate the device only after having familiarized with its functions. Do not permit operation by persons not qualified for operating the device. Most damages are the result of unprofessional operation.

Please use the original packaging if the device is to be transported.

For safety reasons, please be aware that all modifications on the device are forbidden. If this device will be operated in any way different to the one described in this manual, the product may suffer damages and the guarantee becomes void. Furthermore, any other operation may lead to short-circuit, burns, electric shock, crash, etc.

SAFETY INSTRUCTIONS



CAUTION!

Be careful with your operations. With a dangerous voltage you can suffer a dangerous electric shock when touching wires!

This device has left the factory in perfect condition. In order to maintain this condition and to ensure a safe operation, it is absolutely necessary for the user to follow the safety instructions and warning notes written in this user manual.

1. In order to guarantee the product's life, please don't put it in the damp places or even the environment over 60degrees.

2. Always mount this unit in safe and stable matter.

The qualified professionals are allowed to carry out the Light installation, operation and maintenance, but they must guarantee to operate in strict accordance with the instructions referred to.

▲ Important:

Damages caused by the disregard of this user manual are not subject to warranty. The dealer will not accept liability for any resulting defects or problems.

If the device has been exposed to temperature changes due to environmental changes, do not switch it on immediately. The arising condensation could damage the device. Leave the device switched off until it has reached room temperatures.

This device falls under protection-class I . Therefore it is essential that the device be earthed.

The electric connection must carry out by qualified person.

Make sure the power cord is never crimped or damaged by sharp edges. If this would be the case, replacement of the cable must be done by an authorized dealer.

Always disconnect from the mains, when the device is not in use or before cleaning it. Only handle the power cord by the plug. Never pull out the plug by tugging the power cord.

During initial start-up some smoke or smell may arise. This is a normal process and does not necessarily mean that the device is defective, it should decrease gradually.

Please don't project the beam onto combustible substances.

If the external flexible cable or cord of this luminaire is damaged, it shall be exclusively replaced by the manufacturer or his service agent or a similar qualified person in order to avoid a hazard.



CAUTION!

Never touch the device during operation!
The housing may heat up!



CAUTION!

Never look directly into the light source,
As sensitive persons may suffer an epileptic shock.

Please be aware that damages caused by manual modifications to be the device are not subject to warranty. Keep away from children and non-professionals.

CLEANING AND MAINTENANCE

1. To reduce the risk of electrical shock or fire, do not expose this unit to rain or moisture.

2. Do not spill water or other liquids into or on to your unit.

3. During long periods of non-use, disconnect the unit's main power.


4. It should be installed in a well-ventilated place, at a distance of 50 centimeters or more with the walls. At the same time, please check if the fan and ventilation holes are unobstructed.

The following points have to be considered during the inspection

- 1) All screws for installing the devices or parts of the device have to be tightly connected and must not be corroded.
- 2) There must not be any deformations on the housing. Fixations and installations spots(ceiling, suspension, trussing).

- 3) Mechanically moved parts must not show any traces of wearing and must not rotate with unbalances.
- 4) The electric power supply cables must not show any damage, material fatigue or sediments. Further instructions depending on the installation spot and usage have to be adhered by a skilled installer and any safety problems have to be removed.

CAUTION!
Disconnect from mains before starting maintenance operation!

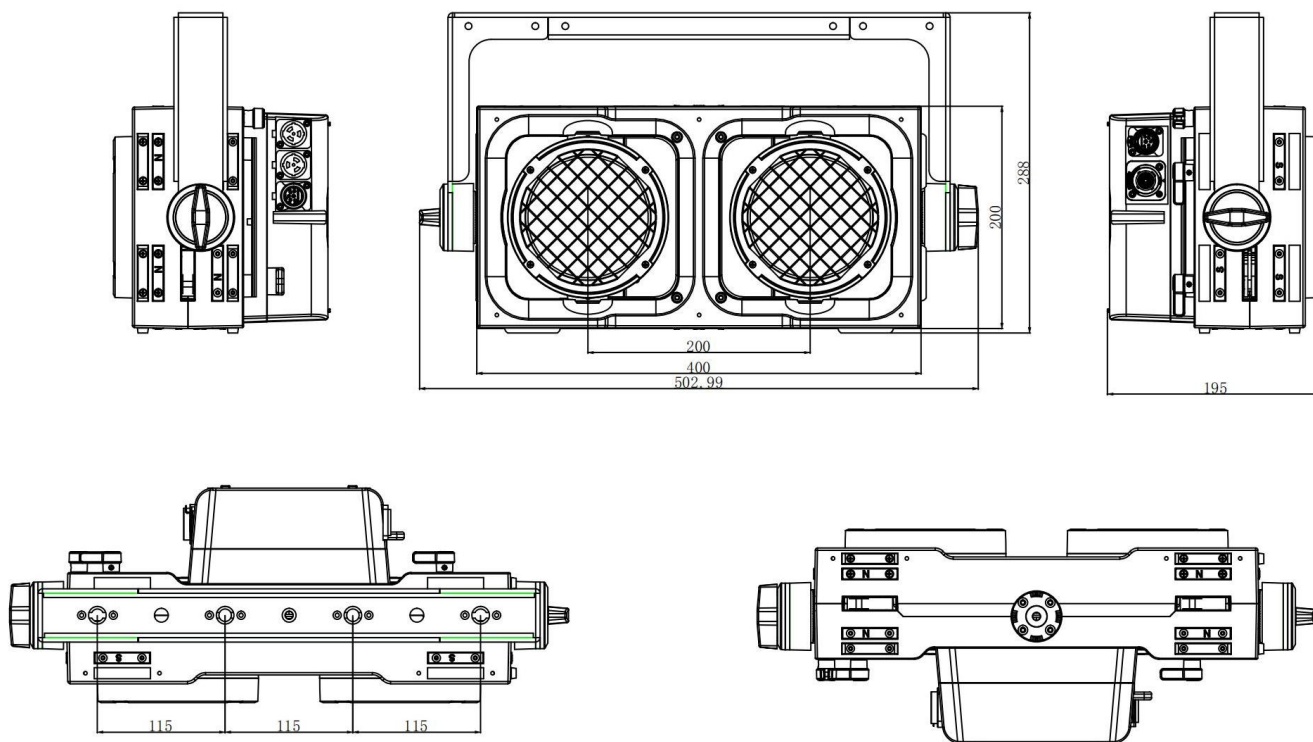


In order to make the lights in good condition and extend the life time, we suggest a regular cleaning to the lights.

- 1) Clean the inside and outside lens each week to avoid the weakness of the lights due to accumulation of dust.
- 2) Clean the fan each week.
- 3) A detailed electric check by approved electrical engineer each three month, make sure that the circuit contacts are in good condition, prevent the poor contact of circuit from overheating.

We recommend a frequent cleaning of the device. Please use a moist, lint-free cloth. Never use alcohol or solvents !

DIMENSTION:



1. Menu:



When the screen is displayed normally:

Keys:

K1: Menu and return

K2 & K3: Adjust options and option values

K4: Confirm

When the screen is flipped:

Buttons:

K3: Menu and return

K1 & K4: Adjust options and option values

K2: Confirm

Note:

1. Lock screen password:

When displaying normally, K2-K3-K2-K3

When displaying in reverse, K3-K2-K3-K2

2. When in the main interface, press the OK key to enter the menu interface

3. If the temperature control resistor is not successfully connected, the Light power will be halved, and it will jump to the main interface after 5 seconds and display an error message

4. If there is no key operation within 30 seconds, the interface will jump to the main interface

5. The Light effect only works in the color temperature range of 2700K-3500K

2. Menu Function (the bold font in the table indicates the default value of the item)

Menu	Display
DMX Channels	1CH DWE
	2CH DWE
	4CH DWE
	9CH DWE+
	6CH STROBE
	6CH RGB
	10CH BASIC RGB
	14CH BASIC RGB
	13CH STD. RGB
	22CH STD. RGB
	24CH EXT. RGB
	33CH EXT. RGB
	10CH DIRECT
	12CH DIRECT
	17CH DIRECT
28CH DIRECT	
41CH DIRECT	
Auto mode	Total Dimmer 100
	Effect 00
	Speed 100
Manual	Total Dimmer 100
	Strobe 255
	R 000
	G 000
	B 000
	A 000
Color Macro	WW 000
	Total Dimmer 100
Color temperature	Color Macro 00
	Total Dimmer 100
	Color temperature 2900K

	Tint +000
Color	Color 1
	Color 2
	Color 3
	Color 4
	Color 5
Advanced Settings	Language
	Master-slave switch
	Screen saver
	Screen flip
	Screen lock
	DMX lost
	Dimmer curve
	Dimmer bit number
	Dimmer speed
	Dimmer frequency
	Light effect
	Fan mode
	Reverse mapping
	LED mode
	Factory reset
System Information	Firmware version
	RDM ID
	Temperature
	Power-on time
	Light-on time
	Fan status
	Error message

3. Background display window function comparison table (the bold font in the table indicates the default value of the item)

In the first-level menu, adjust the cursor to the DMX item and press and hold the menu button to enter the background

Display	Detail
R current 207	020-255
G current 217	020-255
B current 212	020-255
W current 222	020-255
P limit 180	050-255
T1 protect 70	40-80 When the Light body temperature exceeds the set value, the Light bead power is reduced. Note: This function will only work after the Light body is connected to the temperature control resistor.
T2 protect 70	40-80 When the Light body temperature exceeds the set value, the Light bead power is reduced Note: This function will only work after the Light body is connected to the temperature control resistor
Push Shut down	Push the background parameters of this machine, set the parameters and channel mode to the slave. Shut down: Do not push Turn on: Push Note: Please make sure that the signal line between the host and the slave is connected and powered on, and the slave display interface is the DMX address interface. When pushing, wait for the slave device Light to flash (indicating that the data sent by the host has been received and saved) before the host can exit the push state.

4. DMX Channels

CH	1CH DWE	2CH DWE	4CH DWE	9CH DWE+	6CH STROBE
1	Total Dimmer	Dimmer1	Total Dimmer	Total Dimmer	Total Dimmer
2		Dimmer2	Dimmer curve	Strobe	Strobe
3			Dimmer speed	R Dimmer	Duration
4			Redshift	G Dimmer	Dimmer 1
5				B Dimmer	Dimmer 2
6				Color temperature	Color temperature
7				Dimmer curve	
8				Dimmer speed	
9				Redshift	

CH	6CH RGB	10CH BASIC RGB	14CH BASIC RGB	13CH STANDARD RGB
1	R1 Dimmer	Total Dimmer	Total Dimmer	Total Dimmer
2	G1 Dimmer	Strobe	Total Dimmer fine adjustment	Strobe
3	B1 Dimmer	R Dimmer	Strobe	Dimmer 1
4	R2 Dimmer	G Dimmer	R Dimmer	R1 Dimmer
5	G2 Dimmer	B Dimmer	R Dimmer fine adjustment	G1 Dimmer
6	B2 Dimmer	Color temperature	G Dimmer	B1 Dimmer
7		Tint	G Dimmer fine adjustment	Dimmer 2
8		Color Macro	B Dimmer	R2 Dimmer
9		Color Macro Cross-fade	B Dimmer fine adjustment	G2 Dimmer
10		Device settings	Color temperature	B2 Dimmer
11			Tint	Color temperature
12			Color Macro	Tint
13			Color Macro Cross-fade	Device settings
14			Device settings	

CH	22CH STANDARD RGB	24CH EXTENDED RGB	33CH EXTENDED RGB
1	Total Dimmer	Total Dimmer	Total Dimmer
2	Total Dimmer fine-tuning	Strobe	Total Dimmer fine-tuning
3	Strobe	Duration	Strobe
4	Dimmer 1	Dimmer 1	Duration
5	Dimmer 1 fine-tuning	R1 Dimmer	Dimmer 1
6	R1 Dimmer	G1 Dimmer	Dimmer 1 fine-tuning
7	R1 Dimmer fine-tuning	B1 Dimmer	R1 Dimmer
8	G1 Dimmer	Color temperature 1	R1 Dimmer fine-tuning
9	G1 Dimmer fine-tuning	Tint 1	G1 Dimmer
10	B1 Dimmer	Color Macro 1	G1 Dimmer fine-tuning
11	B1 Dimmer fine-tuning	Color Macro Cross-fade 1	B1 Dimmer
12	Dimmer 2	Dimmer 2	B1 Dimmer fine-tuning
13	Dimmer 2 fine-tuning	R2 Dimmer	Color temperature 1
14	R2 Dimmer	G2 Dimmer	Tint 1
15	R2 Dimmer fine-tuning	B2 Dimmer	Color Macro 1
16	G2 Dimmer	Color temperature 2	Color Macro Cross-fade 1
17	G2 Dimmer fine-tuning	Tint 2	Dimmer 2
18	B2 Dimmer	Color Macro 2	Dimmer 2 fine-tuning
19	B2 Dimmer fine-tuning	Color Macro Cross-fade2	R2 Dimmer
20	Color temperature	Effect	R2 Dimmer fine-tuning
21	Tint	Dimmer curve	G2 Dimmer
22	Device settings	Dimmer speed	G2 Dimmer fine-tuning
23		Redshift	B2 Dimmer
24		Device settings	B2 Dimmer fine-tuning
25			Color temperature 2
26			Tint 2
27			Color Macro 2
28			Color Macro Cross-fade2
29			Effect
30			Dimmer curve
31			Dimmer speed
32			Redshift
33			Device settings

CH	10CH DIRECT	12CH DIRECT	17CH DIRECT	28CH DIRECT	41CH DIRECT
1	R1 Dimmer	Total Dimmer	Total Dimmer	Total Dimmer	Total Dimmer
2	G1 Dimmer	Strobe	Strobe	Strobe	Total Dimmer fine-tuning
3	B1 Dimmer	R Dimmer	Dimmer 1	Duration	Strobe
4	A1 Dimmer	G Dimmer	R1 Dimmer	Dimmer 1	Duration
5	W1 Dimmer	B Dimmer	G1 Dimmer	R1 Dimmer	Dimmer 1
6	R2 Dimmer	A Dimmer	B1 Dimmer	G1 Dimmer	Dimmer 1 fine-tuning
7	G2 Dimmer	W Dimmer	A1 Dimmer	B1 Dimmer	R1 Dimmer
8	B2 Dimmer	Color temperature	W1 Dimmer	A1 Dimmer	R1 Dimmer fine-tuning
9	A2 Dimmer	Tint	Dimmer 2	W1 Dimmer	G1 Dimmer
10	W2 Dimmer	Color Macro	R2 Dimmer	Color temperature 1	G1 Dimmer fine-tuning
11		Color Macro Cross-fade	G2 Dimmer	Tint 1	B1 Dimmer
12		Device settings	B2 Dimmer	Color Macro 1	B1 Dimmer fine-tuning
13			A2 Dimmer	Color Macro Cross-fade 1	A1 Dimmer
14			W2 Dimmer	Dimmer 2	A1 Dimmer fine-tuning
15			Color temperature	R2 Dimmer	W1 Dimmer
16			Tint	G2 Dimmer	W1 Dimmer fine-tuning
17			Device settings	B2 Dimmer	Color temperature 1
18				A2 Dimmer	Tint 1
19				W2 Dimmer	Color Macro 1
20				Color temperature 2	Color Macro Cross-fade 1
21				Tint 2	Dimmer 2
22				Color Macro 2	Dimmer 2 fine-tuning
23				Color Macro Cross-fade2	R2 Dimmer
24				Effect	R2 Dimmer fine-tuning
25				Dimmer curve	G2 Dimmer
26				Dimmer speed	G2 Dimmer fine-tuning
27				Redshift	B2 Dimmer
28				Device settings	B2 Dimmer fine-tuning
29					A2 Dimmer
30					A2 Dimmer fine-tuning
31					W2 Dimmer
32					W2 Dimmer fine-tuning
33					Color temperature 2
34					Tint 2
35					Color Macro 2
36					Color Macro Cross-fade2
37					Effect
38					Dimmer curve
39					Dimmer speed
40					Redshift
41					Device settings

5. Specification

Power and wattage

Input voltage: AC 110V-240V 50/60Hz

Power: 600W

Light source: 2X300W LED RGBAW(1800K-10000K)

Beam angle: 65°

Spot angle: 97°

Light source life: 20000 H

Color

Uniform color mixing system can adjust the effect of tungsten Light

Color rendering index: 95

Control and programming

Control channels:

1CH DWE

2CH DWE

4CH DWE

9CH DWE+

6CH STROBE

6CH RGB

10CH BASIC RGB

14CH BASIC RGB

13CH STANDARD RGB

22CH STANDARD RGB

24CH STANDARD RGB

33CH STANDARD RGB

10CH DIRECT

12CH DIRECT

17CH DIRECT

28CH DIRECT

41CH DIRECT

Protocol: Standard DMX512 protocol, RDM protocol

Data connection: Waterproof three-core XLR input/output

Display: OLED display operation panel

Effects

8 built-in programs to choose from

Fast electronic strobe 1-20 Hz

Dimmer mode: 5 types

Software

Software update through DMX signal for convenient and fast upgrade

Silent waterproof fan, intelligent speed regulation

Intelligent temperature protection to ensure the service life of LED

Light body structure and heat dissipation

Aluminum alloy die-casting structure

Fan heat dissipation

Others

Protection level: IP65

Working environment: -40°C ~ 45°C

Startup environment: -20°C ~ 45°C

Dimensions and weight

Dimensions: 502 × 288 × 195 mm

Net weight: 9 kgs

REMARK

The product has perfect performance and integrity packing. All users should be strictly comply with the warning and operating instructions as stated. Or we aren't in charge of any result by misusing.

Any damage resulting by misuse is not within the Company's warranty.

Any fault or problem caused by neglecting the manual is also not in the charge of dealers.

Errors and omissions for every information given in this manual excepted.

All information is subject to change without prior notice.